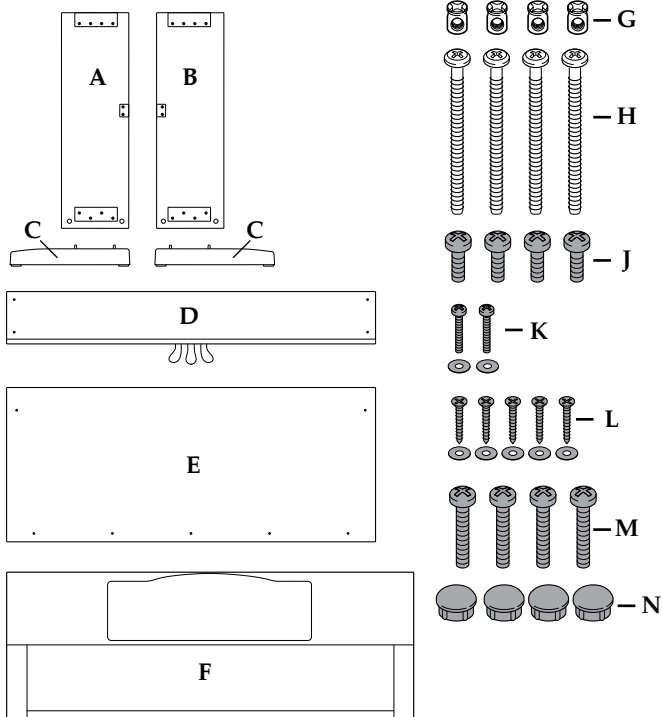


Assembly Instructions

- The stand should be assembled on a flat floor surface.
- Make sure you are using the correct screws for each assembly step, and only use the screws included with your piano. Use of incorrect screws can permanently damage the piano.
- All screws should be tightened after each assembly step (except where otherwise indicated).

Tool required: Phillips-head (+) screwdriver.

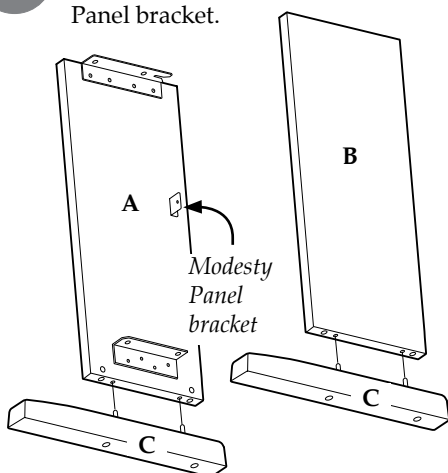
- 1** Remove all parts from their packaging, and verify that you have all the following items:



Warning:
Suffocation Hazard

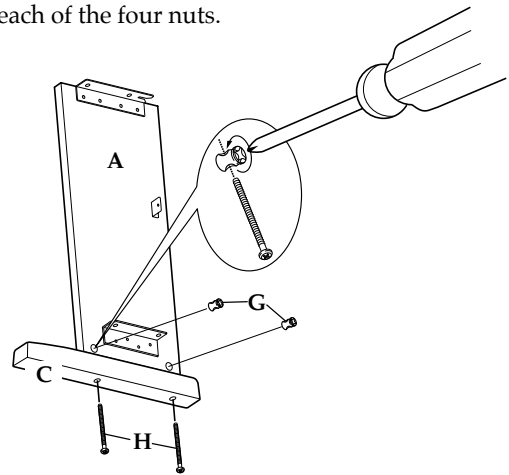
Some parts of your Digital Piano ship in plastic bags which could be dangerous for infants and children. To avoid danger of suffocation, keep plastic bags away from infants and children at all times.

- 2** Push the feet (C) into the bottom of the legs (A,B), with each foot pointing away from the Modesty Panel bracket.



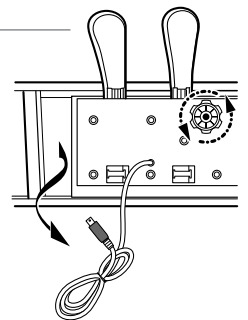
- 3** Place the cylindrical nuts (G) in the holes near the lower bracket in each leg (A and B), with the Phillips slots (+) facing up for each nut.

- 4** Use a screwdriver to rotate the cylindrical nut (G) into position so that the nut's threaded hole lines up with the hole at the bottom of the leg (A,B). Insert the long screw (H) through the bottom of the foot (C) and screw it into the cylindrical nut until tight. Do this for each of the four nuts.



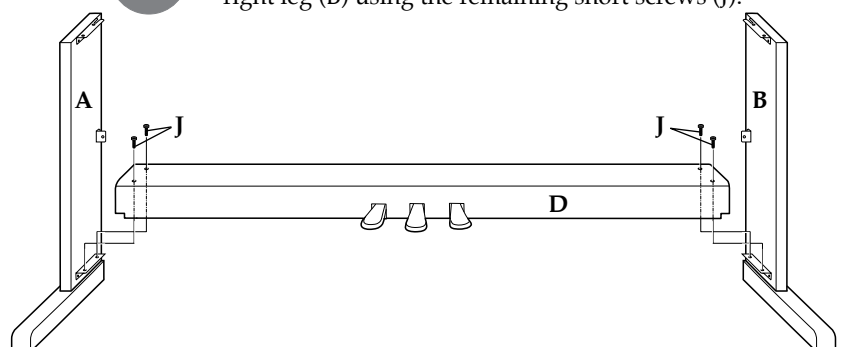
- 5** Remove the cable tie and unwrap the pedal connector cable on the bottom of the Pedal Board.

Turn the adjustable Pedal Board support counter-clockwise until it is moved out about an inch.



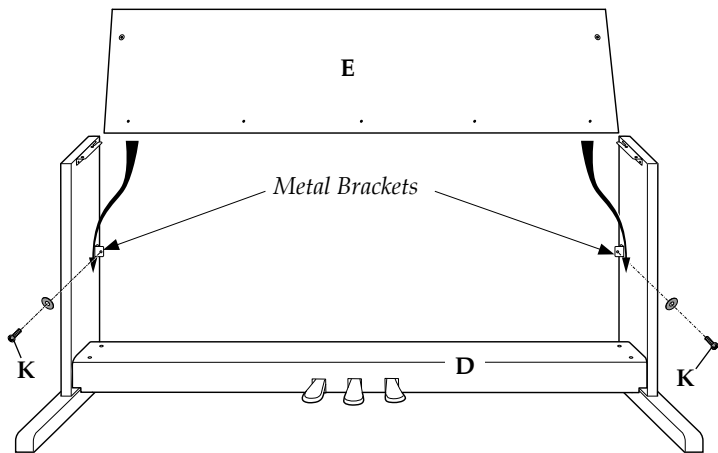
- 6** Attach the left side of the Pedal Board (D) to the left leg (A) using two of the four short screws (J).

- 7** Attach the right side of the Pedal Board (D) to the right leg (B) using the remaining short screws (J).

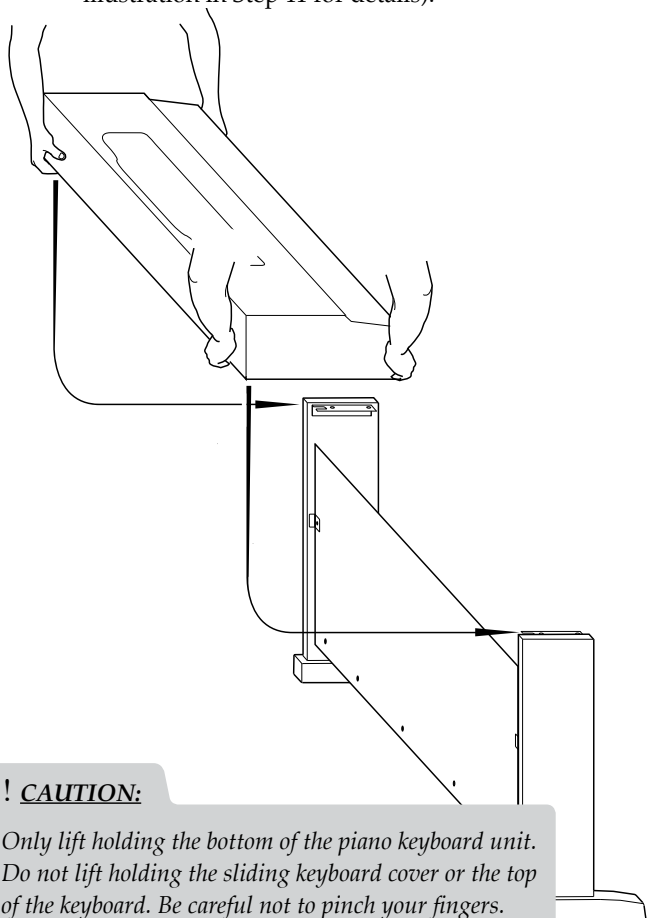


8 Slide the Modesty Panel (E) into place so that the two top screw holes are in front of the two corresponding metal brackets, and the five bottom screw holes line up behind the Pedal Board (D).

9 From the front of the Modesty Panel, use the two screws (K) with washers to attach the top of the Modesty Panel to the metal brackets on each leg.



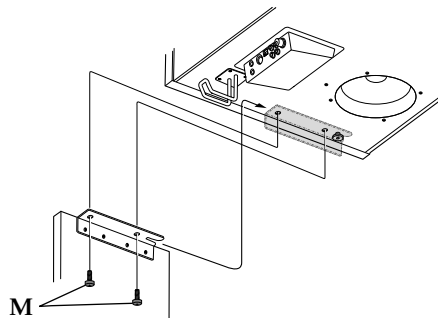
10 While lifting the piano keyboard unit on both ends (one person on each side), carefully lower it and slide the guide screws all the way forward into the brackets at the top of the piano stand (see the illustration in Step 11 for details).



! CAUTION:

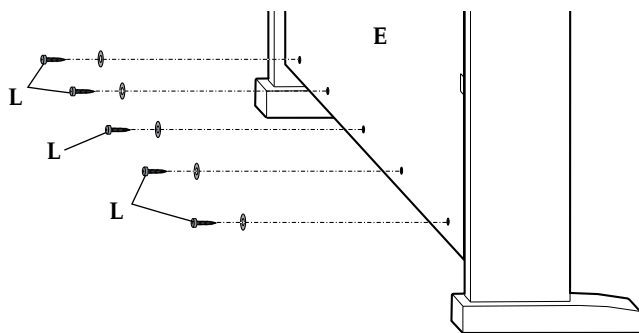
Only lift holding the bottom of the piano keyboard unit. Do not lift holding the sliding keyboard cover or the top of the keyboard. Be careful not to pinch your fingers.

11 Secure the piano keyboard unit to both the left and right sides of the piano stand, using the four (M) screws. (Only the left side is shown in this picture.)

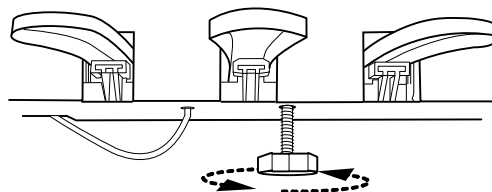


12 Place the four plastic caps (N) into the holes above the foot in each leg (A and B).

13 Holding the bottom of the Modesty Panel (E) firmly against the bottom of the Pedal Board (D), use the five wood screws (L) with washers to attach the bottom of the Modesty Panel (E) to the Pedal Board (D). You will be driving the screws directly into the pedal board material.



14 Turn the adjustable Pedal Board support, until it is in firm contact with the floor.



NOTE:

Before moving the piano to a new location, always remember to raise the level of the Pedal Board support so that it is not touching the floor. Once the piano is in place, you can adjust it so it is in firm contact with the floor again.