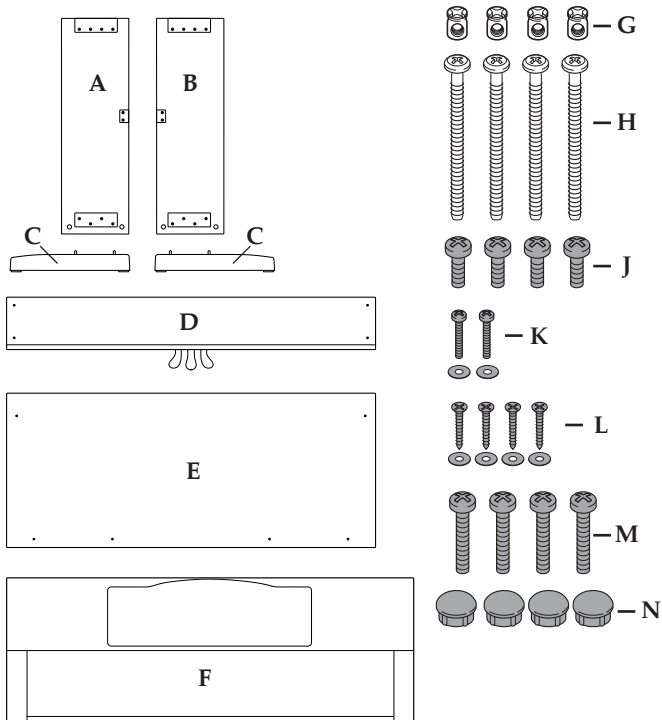


# Assembly Instructions

- The stand should be assembled on a flat floor surface.
- Make sure you are using the correct screws for each assembly step, and only use the screws included with your piano. Use of incorrect screws can permanently damage the piano.
- All screws should be tightened after each assembly step (except where otherwise indicated).

**Tool required:** Phillips-head (+) screwdriver.

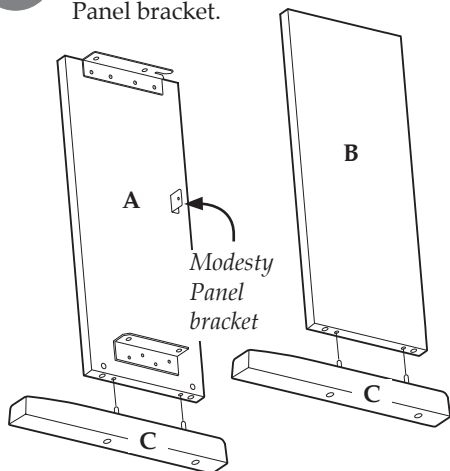
- 1** Remove all parts from their packaging, and verify that you have all the following items:



**Warning:**  
**Suffocation Hazard**

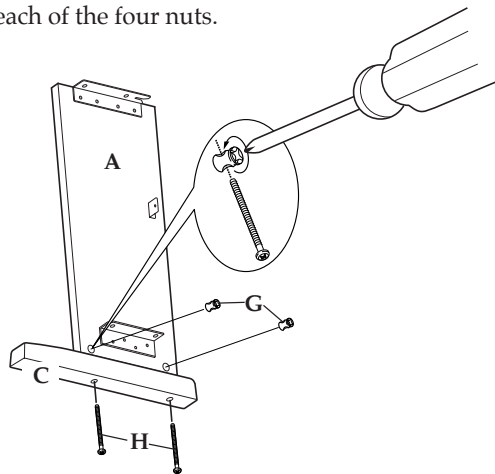
Some parts of your Digital Piano ship in plastic bags which could be dangerous for infants and children. To avoid danger of suffocation, keep plastic bags away from infants and children at all times.

- 2** Push the feet (C) into the bottom of the legs (A,B), with each foot pointing away from the Modesty Panel bracket.



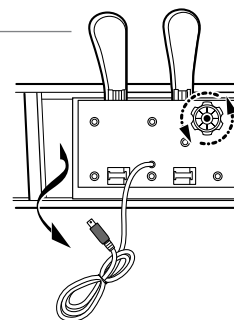
- 3** Place the cylindrical nuts (G) in the holes near the lower bracket in each leg (A and B), with the Phillips slots (+) facing up for each nut.

- 4** Use a screwdriver to rotate the cylindrical nut (G) into position so that the nut's threaded hole lines up with the hole at the bottom of the leg (A,B). Insert the long screw (H) through the bottom of the foot (C) and screw it into the cylindrical nut until tight. Do this for each of the four nuts.



- 5** Remove the cable tie and unwrap the pedal connector cable on the bottom of the Pedal Board.

Turn the adjustable Pedal Board support counter-clockwise until it is moved out about an inch.



- 6** Attach the left side of the Pedal Board (D) to the left leg (A) using two of the four short screws (J).

- 7** Attach the right side of the Pedal Board (D) to the right leg (B) using the remaining short screws (J).

